



Guardian Angel™

WINDOW GUARDS

Specifications

The following are detailed drawings and descriptions of the Guardian Angel window guards. To receive the exact model number and price for your specific window, contact Automatic Specialties Inc. at 1-800-445-2370.

Please have your window measurements accessible. We recommend you follow the Guardian Angel Measuring Instructions prior to placing your call. You can find these instructions on our web site at www.auspin.com, click on window guards and then measuring instructions.

Double Hung Window Guards.....Page 1

Casements/Sliders Window Guards.....Page 2-4

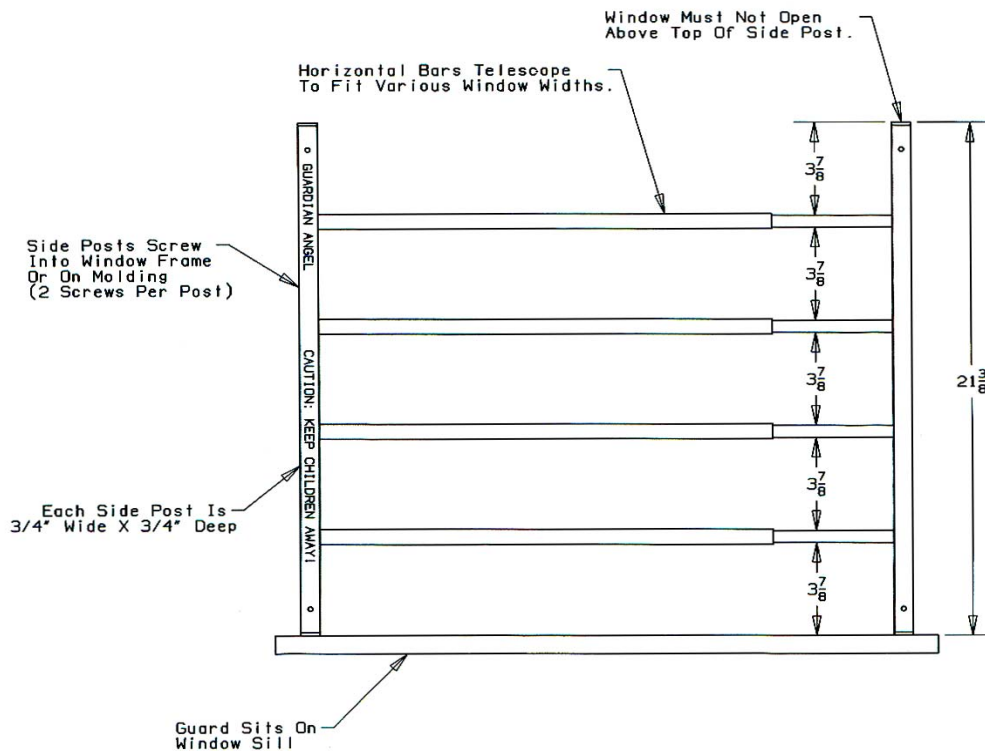
Double Hung Window Guards

- The side posts measure 21 3/8 inches high. If your window opens beyond that, you will need to use a window stop or a vertical style guard, which covers the entire window. Double hung window guards can not be stacked on top of each other.
- All double hung window guards come with 4 horizontal bars. These bars telescope to fit various window widths. The example below is the 2335 model, which expands from 23 to 35 inches.
- There are 6 sizes available:

Window Width (inches)	Model No.
14 to 17	1417-24H or 1417-44H
17 to 23	1723-24H or 1723-44H
23 to 35	2335-24H or 2335-44H
35 to 58	3558-24H or 3558-44H
58 to 90	5890-44H
90 to 120	7320-44H

- The “-24H” and “-44H” refer to the number of emergency release buttons and number of bars, respectively. It comes with either 2 or 4 emergency release buttons, depending on preference (does not include the 5890 or 7320 model which require 4 buttons).
- The H stands for horizontal.

Example Model 2335-24H or 44H



Window Guards for Casements and Sliders

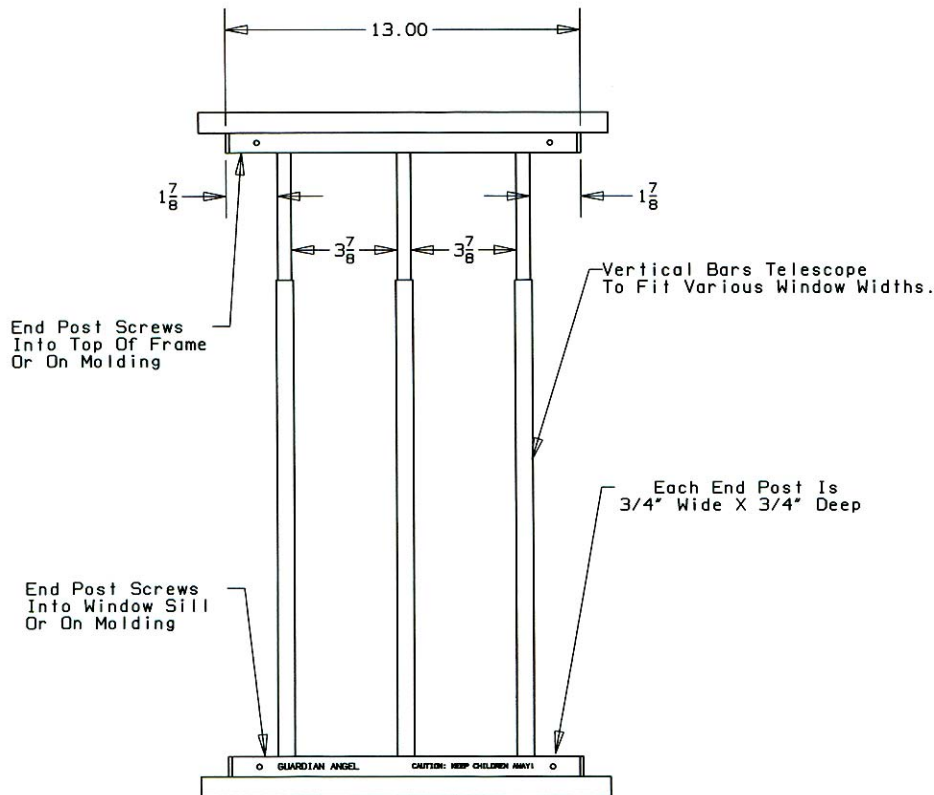
- Vertical style guards come with 3, 4, or 5 vertical bars. These bars telescope to fit various window heights. The following examples are the 3558 model, which expands from 35 to 58 inches high.
- The end posts are available in three width sizes within each height range: 13 inches, 17 3/8 inches, and 21 3/4 inches. You may need more than one guard to cover your window opening. The vertical window guards can be mounted next to each other.
- All vertical style guards come with 4 emergency release buttons.

Window Height (inches)	Models
14 to 17	1417-43V (13") 1417-44V (17 3/8") 1417-45V (21 3/4")
17 to 23	1723-43V (13") 1723-44V (17 3/8") 1723-45V (21 3/4")
23 to 35	2335-43V (13") 2335-44V (17 3/8") 2335-45V (21 3/4")

Window Height (inches)	Model
35 to 58	3558-43V (13") 3558-44V (17 3/8") 3558-45V (21 3/4")
58 to 90	5890-43V (13") 5890-44V (17 3/8") 5890-45V (21 3/4")
90 to 120	7320-43V (13") 7320-44V (17 3/8") 7320-45V (21 3/4")

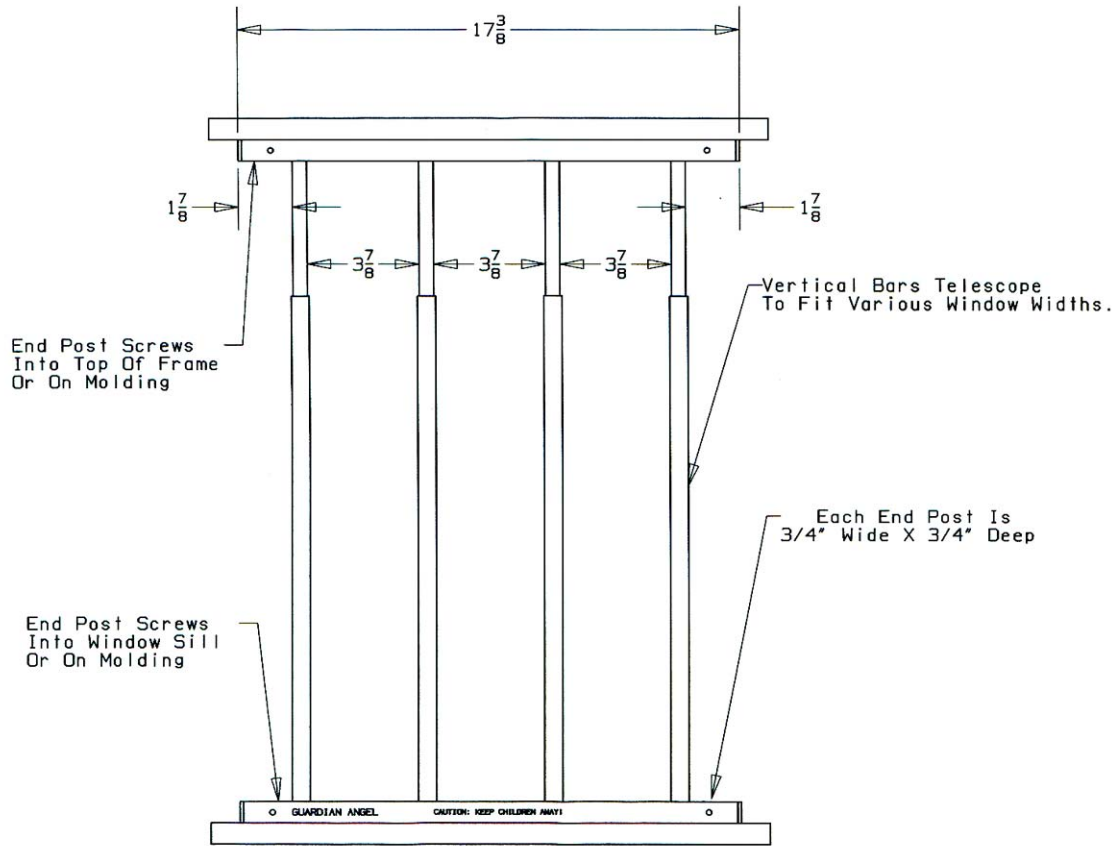
Example Model 3558-43V

- The "-43V" stands for the number of emergency release buttons (four) and number of bars (three). The V stands for vertical.
- The total length of this end post, including end caps, is 13 inches.



Example Model 3558-44V

- The “-44V” stands for the number of emergency release buttons (four) and number of bars (four). The V stands for vertical.
- The total length of this end post, including end caps, is $17 \frac{3}{8}$ inches.



Example Model 3558-45V

- The “-45V” stands for the number of emergency release buttons (four) and number of bars (five). The V stands for vertical.
- The total length of this end post, including end caps, is 21 3/4 inches.

